



绍兴上虞飞特机械有限公司

Shaoxing Shangyu Flight Seiko Machinery Co.,Ltd.

地址：绍兴上虞梁湖工业园区皂李湖路
Add: Zaoliu Road Lianghu Industrial Zone, Shangyu City
Zhejiang Province, China 312351

Tel: +86-575-82028613

Fax: +86-575-82209712

Web: www.ftmbearings.com

E-mail: ftm@ftmbearings.com



扫一扫，电子画册



FTM提供轴承细分领域
专业 精密 特色 新方案

绍兴上虞飞特机械有限公司

SHAOXING SHANGYU FLIGHT SEIKO MACHINERY CO.,LTD.





“ VALUE FIRST AND TECHNOLOGY LEADING

价值为先 技术领先

价值为先 技术领先，持续致力于为客户、为员工、为社会创造价值，成为新时代“专精特新”小巨人

Value first, leading technology, continue to be committed to creating value for customers, employees, and society, and become a "SRDI" little giant in the new era.

1 生产 / 设备 Production Equipment



公司简介 COMPANY PROFILE

绍兴上虞飞特机械有限公司成立于2006年浙江上虞。我司致力于非标轴承、高精度轴承（替代进口）的研发、制造和轴承附件、机械零部件定制。产品广泛应用于机器人工业、汽车、纺织机械、工程机械及其它工程领域。厂区总面积10000多平方米，总员工数120余人。公司拥有立式四轴加工中心（美国哈挺）、数控车床、超精密车削中心、数控磨床、外径研磨和端面研磨等各类设备，加工外径10-250厘米，已通过IATF16949质量管理体系认证，产品远销世界500强企业和国内大中型上市公司，依托深厚积淀和工匠精神努力打造“专精特新”小巨人企业。

Shaoxing Shangyu Flight Seiko Machinery Co., Ltd. was established in 2006 in Shangyu, Zhejiang. Our company is committed to the research, development and manufacturing of non-standard, high-precision bearing and customizing of bearing accessories and machining parts. Our products are widely used in robot industries, automobiles, textile machinery, construction machinery and other engineering fields. The exist factory covers a total area of 10000 square meters and has more than 120 employees. We have vertical four-axis machining center (HARDINGE, USA), CNC lathe, ultra-precision turning center, CNC grinding machine, outer diameter grinding and face grinding and other equipment. Outer diameter 10-250 cm diameter. We have passed the IATF16949 quality management system certification. Products are exported to the world's top 500 enterprises and domestic large and medium-sized listed companies. Relying on profound accumulation and craftsman spirit, we strive to build a "SRDI" small giant enterprise.

2 检测 / 设备 Testing equipment



3 质量 / 认证 Quality Certification



目录 Products Catalog



一、轴承 Bearings	
1.球轴承 Ball Bearings	01
2.滚针轴承 Needle Roller Bearings	07
3.满滚子轴承 Full Complement Roller Bearings	15
4.非磨轴承 Unground Bearings	16
5.交叉滚子轴承 Crossed Roller Bearings	17
6.纺机专用轴承 Special Bearings For Textile Machinery	19



二、轴承附件 Bearing Components	
1.轴承套圈 Bearing Ring	21
2.轴套 Bushing	23
3.其他附件 Others	24



三、机械加工件 Machined Parts	25
------------------------	----



球轴承 Ball Bearings

● 宽内圈轴承 Bearings With Extended Inner Ring

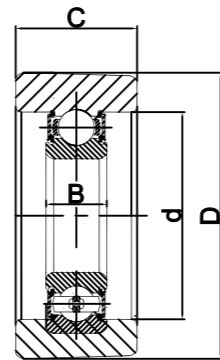


尺寸范围:15mm~75mm 轴 size range:15mm~75mm
Size range; 15mm~75mm shaft

可受径向负荷，轴向负荷，和联合负荷。由一个单列的球轴承加延伸的内圈组成，可以获得轴的最大支撑。延伸内圈套在轴上，并通过自锁轴环或定位螺丝装置锁定。该类轴承可以很方便固定在轴上，而无需轴肩，锁紧螺母或轴承座。一般运用于农业、风扇、食品加工和输送机。

Radial loads, axial loads, and combined loads are available. It is composed of a single row ball bearings and an extended inner ring to obtain the maximum support of the shaft. The extended inner loop is attached to the shaft and locked by a self-locking shaft ring or positioning screw device. These bearings can be easily fixed to the shaft without the need for a shoulder, lock nut or bearing seat. General applications with agriculture, fans, food processing and conveyors.

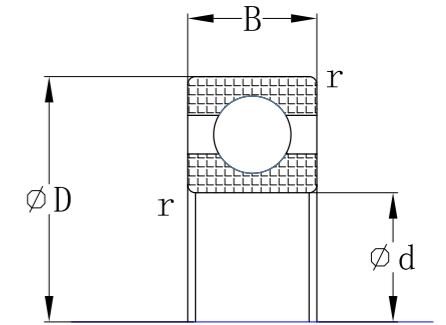
● 叉车轴承 Forklift Bearings



叉车导轮轴承

轴承型号 Model	外形尺寸 mm Boundary Dimensions				额定载荷 kN Basic Load Rating	
	d	D	C	B	Cr	Cor
80605KT	25	70	17	17	17.22	11.39
180705KT	25	80	22	17	17.22	11.39
MG305DDA	25	74.6	25.4	17	17.22	11.39
30305V	25	70.2	23	17	17.22	11.39
MG305DD	25	76.2	25.4	17	17.22	11.39
MG306DDB	30	82.5	27	19	27	15.19
MG306DD	30	92.5	24	19	27	15.19
80607KT	35	102	25.4	20	33.36	19.21
MG307FFA	35	101.6	28.58	21	33.36	19.21
MG311ZZA	55	151.89	38.1	29	71.57	44.76

● 薄壁球轴承系列 Thin Wall Ball Bearings Series



优点 Advantage

重量轻 Light weight

多负载能力 Multi-load capacity

高刚度 High stiffness

修改和定制轴承 Modified and customized bearings

应用领域：医疗器械，食品设备，半导体行业

Applications: Medical devices, food equipment, semiconductor industry

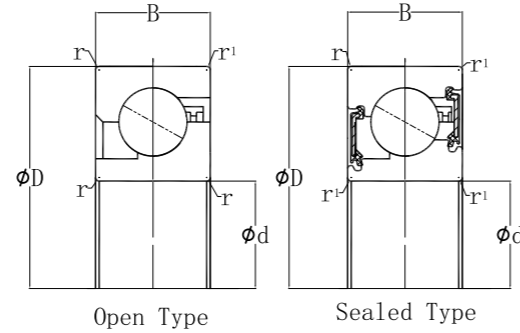
DATA

轴承型号 Model	外形尺寸 mm Boundary Dimensions				额定载荷 kN Basic Load Rating		重量 kg Weight
	d	D	B	r(min)	Cr	Cor	
NB700~NB710	10~50	15~62	3~6	0.15~0.3	960~5550	515~5750	0.001~0.033
6800~6810	10~50	19~65	5~7	0.3	1720~6400	840~6200	0.005~0.05
6900~6910	10~50	22~72	6~12	0.3~0.6	2700~14500	1270~11700	0.01~0.135
NB711A~NB720A	55~100	68~120	7~10	0.3~0.6	6850~15200	7100~19300	0.044~0.173
6811~6820	55~100	72~125	9~13	0.3~1	8800~19600	8500~23000	0.081~0.31
6911~6920	55~100	80~140	13~20	1~1.1	16000~43000	13300~42000	0.189~0.828

● 机床丝杠用轴承 Bearings For Machine Tool Lead Screws

我司生产的推力角接触球轴承可以满足丝杠驱动中高动态运转时高精度、高刚度、高转速、高承载能力、低摩擦、易于安装和低维护甚至免维护设计的要求。

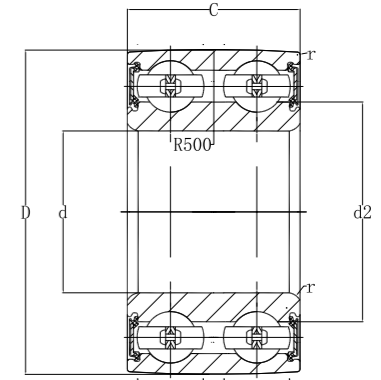
The thrust angular contact ball bearings produced by our company can meet the requirements of high precision, high stiffness, high speed, high bearing capacity, low friction, easy installation and low maintenance or even maintenance-free design when the screw drive is in high dynamic operation.



DATA

轴承型号 Model	外形尺寸 mm Boundary Dimensions				额定载荷 kN Basic Load Rating		极限转速 r/min Limiting speed		重量 kg Weight
	d	D	B	r(min)	Ca	Coa	脂润滑	油润滑	
760201	12	32	10	0.6	11.6	12.5	8000	10000	0.04
760202	15	35	11	0.6	12.5	15.00	6000	8000	0.05
760203	17	40	12	0.6	16.6	20.0	6000	8000	0.075
760204	20	47	14	1	19.3	25.0	5000	6900	0.12
760304	20	52	15	1.1	24.5	32.0	4500	6300	0.17
760205	25	52	15	1.0	22.0	30.5	4500	6300	0.15
760305	25	62	17	1.1	28.5	41.5	3800	5300	0.27
760206	30	62	16	1	26.0	39.0	3800	5300	0.23
760306	30	72	19	1.1	34.5	55.0	3200	4400	0.40
760207	35	72	17	1.1	30	50	3200	4400	0.35
760307	35	80	21	1.5	36.5	61.0	3000	4200	0.55
760208	40	80	18	1.1	37.5	64	2800	3900	0.45
760308	40	90	23	1.5	50	83	2600	3600	0.75
760209	45	85	19	1.1	38.0	68	2600	3600	0.50
760309	45	100	25	1.5	58.5	104	2200	3100	1.00
760210	50	90	20	1.1	39	75	2400	3300	0.55
760310	50	110	27	2	69.5	127	2000	2800	1.3
760211	55	100	21	1.5	40.5	81.5	2200	3000	0.75
760311	55	120	29	2	78	146	1900	2600	1.7
730212	60	110	22	1.5	56	112	2000	2800	0.95
760312	60	130	31	2.1	88	166	1800	2500	2.1

● 滚轮球轴承 Cam Followers



应用领域：冶金、采矿、矿物加工、铁路物料运输、农机、建筑等
Applications: metallurgy, mining, mineral processing, railway material transportation, agricultural machinery, construction, etc

特点和优势 Features and benefits

可承受高径向载荷 Can withstand high radial loads

厚壁外圈能够承受高径向载荷，同时减少变形和弯曲应力
The thick-walled outer ring is able to withstand high radial loads while reducing deformation and bending stress.

可以承受倾覆力矩 Can withstand overturning moments

双列球滚动体滚轮轴承可承受比单列球滚动体滚轮轴承更大的倾覆力矩
Double row ball rolling element roller bearings can withstand greater overturning moments than single row ball rolling element roller bearings

使用寿命长 Long service life

冠状外圈运行表面对于可能发生外圈相对于轨道倾斜或者需要最小化边缘应力的应用是有益的
The coronal outer ring running surface is beneficial for applications where the outer ring tilt relative to the track may occur or where edge stress needs to be minimized

可相对高转速运行 Can operate at relatively high speeds

可以做耐高温轴承 使用石墨保持架 High temperature resistant bearings are achievable with graphite cages

DATA

轴承型号 Model	外形尺寸 mm Boundary Dimensions				额定载荷 kN Basic Load Rating		重量 kg Weight
	D	d	C	r(smin)	Cr	Cor	
FT 5005 2RS	52	25	16	0.6	11.5	8.1	0.15
FT 5006 2RS	62	30	19	1	16	11.8	0.25
FT 5007 2RS	68	35	20	1	17.6	13	0.3
FT 5203 2Z	47	17	17.5	0.6	12.6	8.3	0.17
FT 5203 2RS	47	17	17.5	0.6	12.6	8.3	0.17
FT 5303 2RS	52	20	20.6	1	16	10.6	0.23
FT 5304 2Z	62	20	22.2	1.1	21.4	14.6	0.34

● 双列球轴承 Double Row Ball Bearings

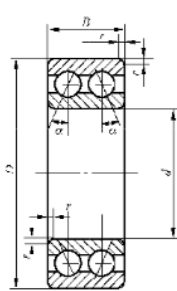


图1 双列角接触球轴承(基型)
00000 A 型($\alpha = 30^\circ$)

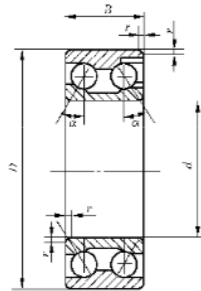


图2 有装填槽的双列角接触球轴承
00000 型($\alpha = 30^\circ$)

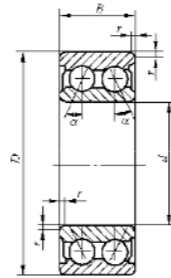


图3 两面带防尘盖的双列角接触球轴承
00000 A-2Z 型($\alpha = 30^\circ$)

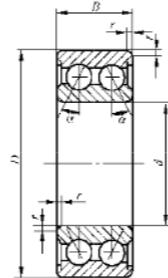


图4 两面带密封圈的双列角接触球轴承
00000 A-2RS 型($\alpha = 30^\circ$)

轴承特性 Features

相对于单列角接触球轴承能承受较大的径向负荷为主的径向和轴向联合负荷和力矩负荷，限制轴的两方面的轴向位移
Compared with single-row angular contact ball bearings, they can withstand large radial loads, mainly radial loads, combined loads and moment loads, limiting the axial displacement of both sides of the shaft

占用轴向空间较小 Take up less axial space

可用于两个单列角接触球轴承采用背对背布置排列时轴向空间受限的应用场合
Can be used in applications where axial space is limited when two single row angular contact ball bearings are arranged in a back-to-back arrangement

可以承受倾覆力矩 Can withstand overturning moments

刚性轴承布置 Rigid bearing arrangement

DATA

轴承型号 Model			外形尺寸 mm Boundary Dimensions				额定载荷 kN Basic Load Rating		重量 kg Weight
			d	D	B	r(min)	Cr	Cor	
3203A	3203A-ZZ	3203A-2RS	17	40	17.5	0.6	12.8	7.9	0.085
3204A	3204A-ZZ	3204A-2RS	20	47	20.6	1	19.0	12.1	0.12
3205A	3205A-ZZ	3205A-2RS	25	52	20.6	1	20.6	14.3	0.19
3206A	3206A-ZZ	3206A-2RS	30	62	23.8	1	28.6	20.4	0.3
3207A	3207A-ZZ	3207A-2RS	35	72	27	1.1	39.0	28.7	0.47
3208A	3208A-ZZ	3208A-2RS	40	80	30.2	1.1	42.5	32.5	0.58
3209A	3209A-ZZ	3209A-2RS	45	85	30.2	1.1	48	37.0	0.62
3210A	3210A-ZZ	3210A-2RS	50	90	30.2	1.1	51.0	42.0	0.67
3211A	3211A-ZZ	3211A-2RS	55	100	33.3	1.5	63.0	53.0	0.96
3212A	3212A-ZZ	3212A-2RS	60	110	36.5	1.5	71.5	58.5	1.37
3213A	3213A-ZZ	3213A-2RS	65	120	38.1	1.5	83.5	72.5	1.68
3214A	3214A-ZZ	3214A-2RS	70	125	39.7	1.5	90.5	79.5	1.82
3215A	3215A-ZZ	3215A-2RS	75	130	41.3	1.5	90	80.5	1.95
3216A	3216A-ZZ	3216A-2RS	80	140	44.4	2	106	95.5	2.55
3303A	3303A-ZZ	3303A-2RS	17	47	22.2	1	20.4	12.1	0.13
3304A	3304A-ZZ	3304A-2RS	20	52	22.2	1.1	20.6	12.7	0.22
3305A	3305A-ZZ	3305A-2RS	25	62	25.4	1.1	30.5	20.5	0.33
3306A	3306A-ZZ	3306A-2RS	30	72	30.2	1.1	39.5	27.5	0.51
3316A	3316A-ZZ	3316A-2RS	80	170	68.3	2.1	176	167	7.0

滚针轴承 Needle Roller Bearings



滚针轴承是一种特殊类型的滚子轴承，它使用长而细的圆柱滚子类似针。普通滚子轴承的滚子仅比其直径稍长，但滚针轴承的滚子通常至少是其直径的四倍。与所有轴承一样，它们用于减少旋转表面的摩擦。

相比于球轴承和滚子的普通轴承，滚针轴承具有较大的表面积，这样他们就可以支持更大的负荷。它们也更薄，因此它们在轴和周围结构之间需要更小的间隙。

Needle roller bearings are a special type of roller bearings that uses long, thin cylindrical rollers similar to needles. Ordinary roller bearings have rollers that are only slightly longer than their diameter, but needle roller bearings typically have rollers that are at least four times their diameter. Like all bearings, they are used to reduce friction on rotating surfaces.

Compared to ordinary bearings of ball bearings and rollers, needle roller bearings have a larger surface area, so that they can support greater loads. They are also thinner, so they require smaller clearance between the shaft and the surrounding structure.

● 密封滚针轴承 Sealed Needle Roller Bearings

是一种支撑滚轮轴承，滚轮可以直接在滚道上滚动，并可以承受大的负荷。滚轮的外圈外表面为圆柱形。两端密封，外圈、滚针和保持架组件和密封圈形成完整的一个单元。

It is a supporting roller bearings, and the roller can roll directly on the raceway and can withstand large loads. The outer surface of the outer ring of the roller is cylindrical. The two ends are sealed, and the outer ring, needle roller and cage assembly and sealing ring form a complete unit.



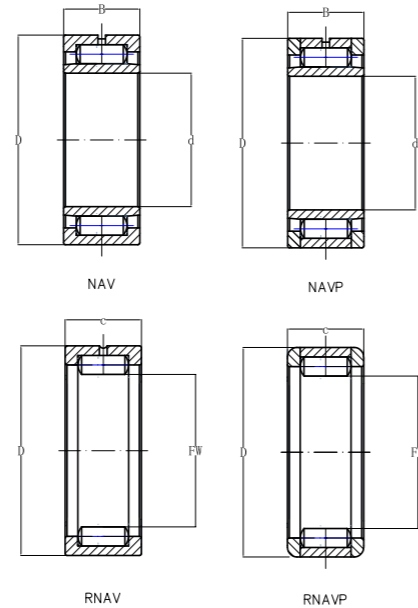
DATA

轴承型号 Model	外形尺寸 mm Boundary Dimensions			额定载荷 kN Basic Load Rating		极限转速 r/min Limiting speed		重量 kg Weight
	Fw	D	B	动Cr dynami	Cor static	脂润滑 grease	油润滑 oil	
RNA1224	12	24	11.8	4400	4800	5380	7000	0.034
RNA4880	48	80	22.7	38000	56000	650	850	0.526

● 满装滚针轴承 Full Complement Needle Roller Bearings

满装滚针单元，相比于普通的滚针轴承增加了滚针单元的数量，因此具有最大的径向载荷能力。无保持架，不建议在超高转速下使用。

Fully loaded needle roller units, which increase the number of needle roller units compared to ordinary needle roller bearings, and therefore have the greatest radial load capacity. No cage, not recommended for use at ultra-high speeds.



DATA

轴承型号 Model	外形尺寸 mm Boundary Dimensions			额定载荷 kN Basic Load Rating		极限转速 r/min Limiting speed		重量 kg Weight
	Fw/d	D	B/C	动Cr dynami	Cor static	脂润滑 grease	油润滑 oil	
NAV7/19/11	7	19	11	8318	9490	6000	10000	0.017
RNAVP42/9/P4	12	26	17	16900	21600	6400	9600	0.023
NAVP16428.3/YA2	16	42	8.3	16700	27900	5000	8000	0.071
NAV4003	17	35	18	19900	38000	4500	7300	0.094
NAVP17428.3/YA2	17	42	8.3	15600	28700	4400	7200	0.065
RNAV6902	19.8	28	23	27700	46700	5000	8000	0.048
NAV4004	20	42	22	31200	60700	4100	6800	0.17
RNAV6904	25	37	30	46800	78900	4300	7200	0.119
RNAV4004	28.7	42	22	31200	60700	4100	6800	0.114
RNAV4005	33.5	47	22	37300	70800	3900	6200	0.129
RNAV4006	40.1	55	25	44700	96100	3500	5300	0.193

● 高压油泵滚针轴承系列 High Pressure Oil Pump Needle Roller Bearings



DATA

轴承型号 Model	外形尺寸 mm Boundary Dimensions				额定载荷 kN Basic Load Rating	
	Fw	D	B	r1	Cr	Cor
TJ 75317	22.24	38.1	27.00	0.381	7300	10800
TJ 7194	25.45	38.1	25.4	0.381	8000	13700
TJ 74765	27.05	42.86	25.4	0.381	9500	13900
TJ 7214	28.62	41.28	25.4	1.016	8500	15500
TJ 7215	28.62	41.28	31.75	1.016	10600	20400
TJ 7235	31.80	44.45	31.75	1.016	11300	22700
TJ 75117	34.97	52.39	25.4	0.381	10100	17900
TJ 75129	38.15	57.15	25.4	0.381	10100	17900
TJ 75318	38.15	60.33	31.75	1.524	15000	24400
DTJ 75319	38.15	60.33	63.5	1.524	25800	48900
TJ 7314	44.5	58.74	25.4	1.524	11500	23900
TJ 7315	44.5	58.74	31.75	1.524	14300	31800
TJ 7354	50.85	65.09	25.4	1.524	12500	27700
TJ 7355	50.85	65.09	31.75	1.524	15600	36800

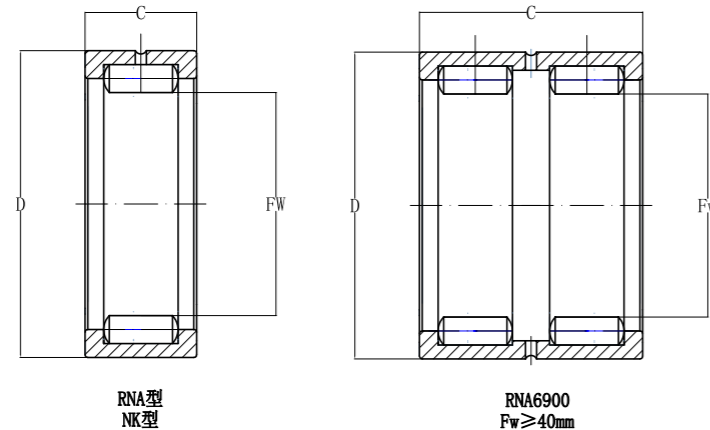
● 无内圈滚针轴承（单列双列） Needle Roller Bearing Without Inner Ring

根据使用场合不同，可选用无内圈的轴承或滚针和保持架组件，此时与轴承相配的轴颈表面和外壳孔表面直接作为轴承的内、外滚动表面，为保证载荷能力和运转性能与有套圈轴承相同，轴或外壳孔滚道表面的硬度，加工精度和表面质量应与轴承套圈的滚道相仿。此种轴承仅能承受径向载荷。

相对于带内圈的滚针轴承，它可以有较大的轴径。由于不需要考虑到内圈公差的影响，座椅可以得到较高的旋转精度。

According to different occasions of use, bearings without inner rings or needle rollers and cage assemblies can be selected, at this time the journal surface and shell bore surface matching the bearing are directly used as the inner and outer rolling surfaces of the bearing, in order to ensure that the load capacity and running performance are the same as the ringed bearings, the hardness, processing accuracy and surface quality of the shaft or housing bore raceway surface should be similar to the raceway of the bearing ring. These bearings can only accommodate radial loads.

It can have a larger shaft diameter than needle roller bearings with inner rings. Since the inner ring tolerances do not need to be taken into account, the seat can achieve a high rotation accuracy



DATA

轴承型号 Model RNA/NK型	外形尺寸 mm Boundary Dimensions				额定载荷 kN Basic Load Rating		极限转速 r/min Limiting speed		重量 kg Weight
	Fw/d	D	C	r(s/min)	动Cr dynami	Cor static	脂润滑 grease	油润滑 oil	
NK35/20	35	45	20	0.3	24.8	41.5	7000	10000	0.0731
NK35/30	35	45	30	0.3	37.5	70.5	7000	10000	0.11
RNA4906	35	47	17	0.3	25.5	35.5	7000	10000	0.0747
RNA6906	35	47	30	0.3	42.8	68.5	7000	10000	0.133
NK37/20	37	47	20	0.3	25.2	43.2	6300	9000	0.0765
NK37/30	37	47	30	0.3	38.2	74	6300	9000	0.115
NK38/20	38	48	20	0.3	26	45.2	6300	9000	0.0785
NK38/30	38	48	30	0.3	39.2	77	6300	9000	0.118
RNA4824	130	150	30	1	96.2	225	1900	3000	771
RNA4924	135	165	45	1.1	180	382	1800	2800	1870
RNA4826	145	165	35	1.1	118	302	1700	2600	990
RNA4926	150	180	50	1.5	202	460	1600	2400	2280
RNA4828	155	175	35	1.1	122	320	1600	2400	1050
RNA4928	160	190	50	1.5	210	488	1500	2200	2410
RNA4830	165	190	40	1.1	152	395	1500	2200	1670
RNA4832	175	200	40	1.1	158	418	1500	2200	1.76
RNA4834	185	215	45	1.1	192	520	1300	2000	2.640
RNA4836	195	225	45	1.1	198	552	1200	1900	2.770
RNA4838	210	240	50	1.5	230	688	1200	1800	3.29

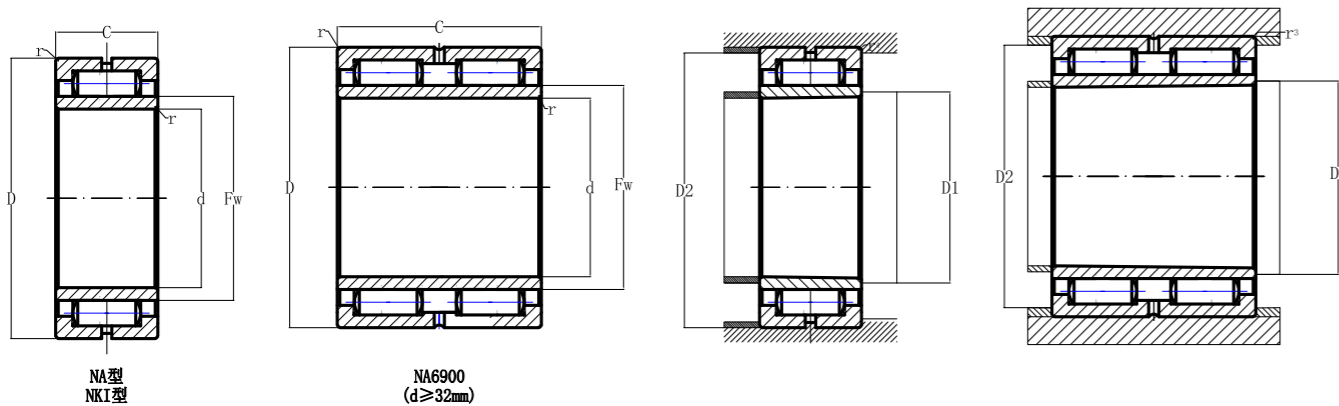
● 带内圈滚针轴承 Needle Roller Bearing With Inner Ring

如果轴不能用来作为滚道的话，则必须使用带内圈的滚针轴承。带滚针和保持架组件的外圈与内圈可以分别安装。

If the shaft cannot be used as a raceway, needle roller bearings with inner rings must be used. The outer and inner rings with needle rollers and cage assemblies can be mounted separately.



单双列滚针轴承 (GB/T5801-1994)



DATA

轴承型号 Model NA/NKI型	基本尺寸 mm Basic size			安装尺寸 mm Mounting dimension			其他尺寸 mm Other size		基本额定载荷 kN Basic Load Rating		极限转速 r/min Limiting speed		重量 kg Weight
	d	D	C	D1(min)	D2(max)	ra(max)	Fw	r(min)	Cr	Cor	脂润滑 grease	油润滑 oil	W≈
NA 49/22	22	39	17	24	37	0.3	28	0.3	23.2	29.2	9000	13000	85.4
NA 69/22	22	39	30	24	37	0.3	28	0.3	38.5	56.2	9000	13000	151
NKI 25/20	25	38	20	27	36	0.3	29	0.3	22.2	23	8000	12000	78.6
NKI 25/30	25	38	30	27	36	0.3	29	0.3	33.5	58	8000	12000	119
NA4905	25	42	17	27	40	0.3	30	0.3	24	31.2	8000	12000	94.7
NA 6905	25	42	30	27	40	0.3	30	0.3	40	60.2	8000	12000	167
NKI 28/20	28	42	20	30	40	0.3	32	0.3	23.5	37.8	7500	11000	96.4
NKI 28/30	28	42	30	30	40	0.3	32	0.3	35.5	64.2	7500	11000	145
NA 49/28	28	45	17	30	43	0.3	32	0.3	24.8	33.2	7500	11000	104
NA 69/28	28	45	30	30	43	0.3	32	0.3	41.5	64.2	7500	11000	183
NKI 30/20	30	45	20	32	43	0.3	35	0.3	24.8	41.5	7000	10000	112
NKI 30/30	30	45	30	32	43	0.3	35	0.3	37.5	70.5	7000	10000	169
NA 4906	30	47	17	32	45	0.3	35	0.3	25.5	35.5	7000	10000	108
NA 6906	30	47	30	32	45	0.3	35	0.3	42.8	68.5	7000	10000	191
NKI 32/20	32	47	20	34	45	0.3	37	0.3	25.2	43.2	6300	9000	118
NKI 32/30	32	47	30	34	45	0.3	37	0.3	38.2	74	6300	9000	178
NA 49/32	32	52	20	36	48	0.6	40	0.6	31.5	48.5	6300	9000	168
NA 69/32	32	52	36	36	48	0.6	40	0.6	48	83.2	6300	9000	-
NKI 100/30	100	130	30	106.5	123.5	1	110	1.1	98.2	205	2000	3200	1020
NKI 100/40	100	130	40	106.5	123.5	1	110	1.1	125	285	2000	3200	1370
NA 4920	100	140	40	106.5	133.5	1	115	1.1	130	270	2000	3200	1960
NA 6920	100	140	71	106.5	133.5	1	115	1.1	202	480	2000	3200	-
NA 4822	110	140	30	115	135	1	120	1	93	210	2000	3200	1130
NA 4922	110	150	40	116.5	143.5	1	125	1.1	138	295	1900	3000	2120
NA4824	120	150	30	125	145	1	130	1	96.2	225	1900	3000	1220
NA 4924	120	165	45	126.5	158.5	1	135	1.1	180	382	1800	2800	2910
NA 4826	130	165	35	136.5	158.5	1	145	1.1	118	302	1700	2600	-
NA 4926	130	180	50	138	172	1.5	150	1.5	202	460	1600	2400	3960
NA 4828	140	175	35	146.5	168.5	1	155	1.1	122	320	1600	2400	1980
NA 4928	140	190	50	148	182	1.5	160	1.5	210	488	1500	2200	4220
NA 4830	150	190	40	156.5	183.5	1	165	1.1	152	395	1500	2200	2800
NA 4832	160	200	40	166.5	193.5	1	175	1.1	158	418	1500	2200	2970
NA 4834	170	215	45	176.5	208.5	1	185	1.1	192	520	1300	2000	4080

满滚子轴承 Full Complement Roller Bearings

特点 Features

径向负荷能力大，适合高速旋转。
Large radial load capacity for high-speed rotation.

单列带保持架圆柱轴承具有六种不同的设计，多种内外圈配置满足不同应用需求。
Single row cylindrical bearings with cages are available in six different designs, with multiple inner and outer ring configurations to meet different application requirements.

常见的有N型、NJ型、NU型、NUP型和NF型。
Common types are N, NJ, NU, NUP and NF.

● 双列满装圆柱滚子轴承 Double Row Cylindrical Roller Bearings



无保持架设计，具有两排满装分布的圆柱滚子，比单列满装圆柱滚子轴承提供更高的径向载荷能力和径向刚性。

主要用于大中型电动机、机车车辆、机床主轴、内燃机、发电机、燃气涡轮机、减速箱、轧钢机、振动筛以及起重运输机械等。

Cageless design with two rows of fully loaded cylindrical rollers provides higher radial load capacity and radial rigidity than single row full complement cylindrical roller bearings.

Mainly used in large and medium-sized motors, rolling stock, machine tool spindles, internal combustion engines, generators, gas turbines, gearboxes, rolling mills, vibrating screens and lifting and transportation machinery.

DATA

轴承型号 Model	外形尺寸 mm Boundary Dimensions			额定载荷 kN Basic Load Rating		极限转速 rpm Limiting speed	
	内径 d	外径 D	宽度 B	动 Cr dynami	静 Cor static	脂润滑 grease	油润滑 oil
N/NU/NJ型	40~120	68~120	15~28	14~134	12.5~196	11000~36000	15000~38000

非磨轴承 Unground Bearings

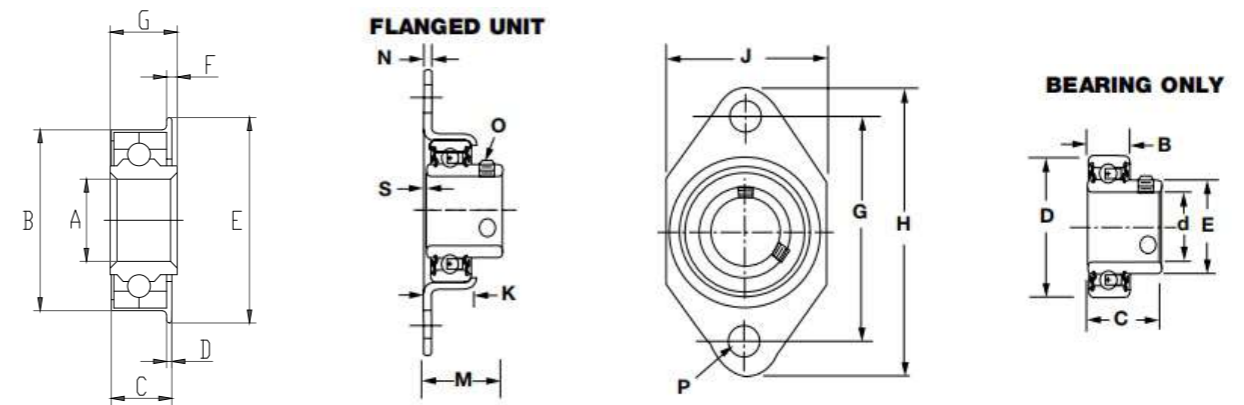


特点 Features

负载能力中等
Load capacity medium

最大转速可达1000~1200
The maximum speed can reach 1000~1200

便于安装
Easy to install



DATA

轴承型号 Model	外形尺寸 mm Boundary Dimensions						
	A	B	C	D	E	F	G
5273	15.88	34.93	11.76	1.57	38.1	3.18	13.87
5327	12.7	38.1	11.35	1.57	42.06	3.18	13.49
5281	12.7	40.08	13.08	3.56	42.85	5.94	15.47
5891	19.05	44.45	15.11	2.36	47.63	3.96	17.45
5875	19.05	50.8	14.53	2.36	53.98	5.54	18.24
5418	25.4	50.8	14.53	2.36	53.98	5.54	18.24

交叉滚子轴承 Crossed Roller Bearings



交叉滚子轴承，是一种圆柱滚子在两个内圈和外圈之间交叉排列的滚子轴承。这种配置可以实现高刚度、高精度和轴向负载能力。

A crossed roller bearing is a roller bearing with cylindrical rollers arranged cross-arranged between two inner and outer rings. This configuration enables high stiffness, high accuracy and axial load capacity.

交叉滚子轴承设计

交叉滚子轴承由两组滚子组成，它们以直角相互交叉。滚子由一个合成树脂或黄铜保持架固定。内圈和外圈是由钢或不锈钢制成的，并有滚子的滚道。

Crossed roller bearings consist of two sets of rollers that cross each other at right angles. The rollers are held in place by a synthetic resin or brass cage. The inner and outer rings are made of steel or stainless steel and have roller raceways.

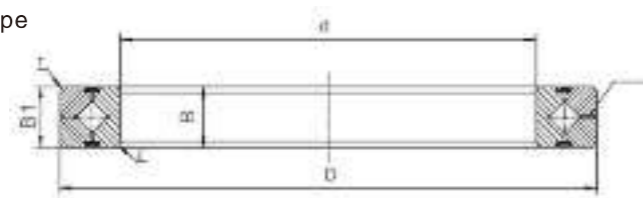
交叉滚子轴承的工作原理

交叉滚子轴承的工作原理是滚子和滚道之间的线性接触。滚子在滚道之间滚动，传递各个方向的载荷，包括轴向、径向和力矩载荷。滚子和滚道之间的线性接触确保了高刚度和高精度。Crossed roller bearings work on the principle of linear contact between the roller and the raceway. Rollers roll between raceways, transmitting loads in all directions, including axial, radial, and moment loads. The linear contact between the rollers and the raceways ensures high stiffness and precision.

交叉滚子轴承的优点

高负载能力、高刚性、紧凑的设计、低摩擦
High load capacity, high rigidity, compact design and low friction

RU Type

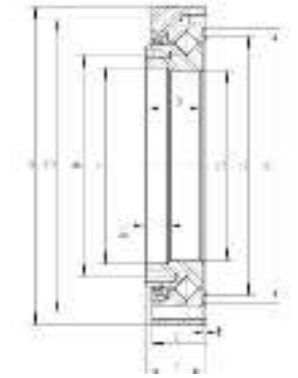


公称型号 Type	主要尺寸 Dimension					基本额定载荷(径向) Load Rating		质量Kg Weight
	内径d	外径D	滚子节圆直径Dpw	高度B	倒角rmin	Cr kN	Cor kN	
RU28	10	52	27.3	8	0.3	2.9	24	0.12
RU42	20	70	41.5	12	0.6	7.35	8.35	0.29
RU66	35	95	66	15	0.6	17.5	22.3	0.62
RU85	55	120	85	15	0.6	20.3	29.5	1
RU124 (G) RU124x	80	185	124	22	1	33.1	50.9	2.6
RU148(G) RU148X	90	210	148	25	1.5	49.1	76.8	4.9
RU178(G) RU178X	115	240	178	28	1.5	80.3	135	6.8
RU228(G) RU228X	160	295	227.5	35	2	104	173	11.4
RU297 (G) RU297X	210	380	297.3	40	2.5	156	281	21.3
RU445 (G) RU445X	350	540	445.4	45	2.5	222	473	35.4

谐波减速机轴承 Harmonic Reducer Bearings

谐波减速机轴承采用交叉滚子结构，能承受轴向、径向和倾覆力矩等各个方向的载荷，并提供很高的刚性；高精度工艺，保证传动中的定位精度。广泛应用于工业机器人、机床、医疗设备、自动化设备等。

The harmonic reducer bearing adopts crossed roller structure, which can withstand loads in all directions such as axial, radial and overturning moment, and provides high rigidity; High-precision process to ensure positioning accuracy in transmission. Widely used in industrial robots, machine tools, medical equipment, automation equipment, etc.



SHG/SGF型谐波减速机轴承
Harmonic Reducer Bearings

特点：转速快、精度高、使用寿命长、耐高温、摩擦系数小等特点
Features: Fast speed, high precision, long service life, high temperature resistance, small friction coefficient

定制灵活性 Customizability

可以根据客户要求开发不同的设计
Different designs can be developed according to requirements

外径范围10~250mm
Outside diameter range 10mm~250mm

可以根据客户要求设计密封结构
Seal structure can be designed according to requirements

万能组配、定向组配(二联/三联/四联等)轻/中/重各种负荷要求
Universal assembly, directional assembly (double/triple/quadruple, etc.) Light/medium/heavy load requirements

提供胶木、尼龙、铁架和铜架材质的保持架
ICages are available in bakelite, nylon, iron and copper frames

轴承型号 Type	外形尺寸 Dimension									
	d	d3	D	H	C	B	B1	d1	d2	h
SHG(SHF)-14	38	36	70	15.1	14.1	14.6	5	57	53	1.2
SHG(SHF)-17	47	44.1	80	17	16	16.4	6.5	68.1	64.1	1.2
SHG(SHF)-20	54	-	90	18.5	17.5	17.5	-	78	72.6	1.6
SHG(SHF)-25	67	65	110	20.7	18.7	19.7	7.5	94.8	90	1.45
SHG(SHF)-32	88	84	142	24.4	23.4	23.4	8	123	117.6	1.6
SHG(SHF)-40	108	106	170	30	29	28.5	9.5	148	142.6	1.55
SHG(SHF)-45	120	118	190	33	32	34.5	10	170	164	1.55
SHG(SHF)-50	135	129	214	36	34	34.5	-	188	182.6	1.6

纺机专用轴承 Special Bearings For Textile Machinery

纺织机轴承主要用以承受以径向载荷为主的径向与轴向联合载荷。在安装和使用过程中防尘效果好能实现一定的偏心调整。纺织机用轴承为外圈外径有止动圈两面带密封圈且带安装的锥形衬套和锁紧垫圈及附件。主要用以承受以径向载荷为主的径向与轴向联合载荷。

Textile machine bearings are mainly used to bear radial and axial combined loads, mainly radial loads. During installation and use, the dustproof effect is good to have a certain eccentric adjustment that can be achieved. Bearings for textile machines are outer rings, outer diameters, stop rings, sealing rings on both sides, tapered bushings and locking washers and accessories for mounting. It is mainly used to bear the combined load of radial and axial load, mainly radial load.



转杯轴承
Rotor Spindles



雪尼尔机用轴承
Chenille Machine Bearings



雪尼尔机用轴承
Chenille Machine Bearings



倍捻机轴承
Twister Bearings



纺机 压轮轴承
Roller Bearings For Textile Machinery



分梳辊轴承
Opening Roller Bearing



纺机 压轮轴承
Roller Bearings For Textile Machinery



多臂龙头专用轴承175208
Special Bearings For Multi-arm Faucets



纺机 托盘式73-1 .2
TWIN DISC Bearings



转杯T103
Roller Spindles Type T103



转杯 72-6
Roller Spindles Type 72-6



转杯73-1-14
Roller Spindles Type 73-1-14



转杯22-106
Roller Spindles Type 22-106



转杯T100
Roller Spindles Type T100



转杯 73-1-22
Roller Spindles Type 73-1-22

轴承套圈 Bearing Ring

轴承套圈质量好坏将直接影响轴承的工作性能和使用寿命。一般包含内外圈、圆锥内外圈、宽内圈、锁口内外圈、调心外圈、调心外座圈、外球面和中挡边等

The quality of the bearing rings will directly affect the working performance and service life of the bearing. Generally contains bearing inner rings and outer rings, cone and cup, extended inner ring, stepped inner and outer ring, aligning outer ring, aligning housing ring, spherical outside surface, centre rib and etc.



农机轴承系列内圈
Inner rings of agri machinery bearing



圆柱滚子轴承外圈
Cylindrical Roller Bearing Outer Ring



滚轮轴承外圈
Roller Bearing Outer Rings



双列球轴承内圈
Double Row Ball Bearing Rings



滚轮轴承外圈
Roller Bearing Outer Rings



薄壁球轴承内外圈
Thin-walled Ball Bearing Rings



球轴承内圈
Ball Bearing Inner Rings



交叉滚子轴承内外圈
Crossed Roller Bearing Rings



球轴承内外圈
Ball Bearing Rings



滑轮轴承内外圈
Pulley Bearing Rings



带键槽轴承内圈
Keyway Bearing Ring



农机轴承系列内圈
Inner rings of agri machinery bearing



轴套 Bushings

筒状机械零件，是滑动轴承的一个组成部分。轴套是套在轴上的，可以保护轴，磨损以后更换轴套即可，避免轴直接磨损，降低了维修费用；轴承是支撑轴的旋转体，可降低摩擦。

Cylindrical mechanical parts are an integral part of plain bearings. The shaft sleeve is sleeved on the shaft, which can protect the shaft, and replace the shaft sleeve after wear, avoiding direct wear of the shaft and reducing maintenance costs; The bearing is the rotating body that supports the shaft and reduces friction.



其他配件 Other Accessories

机械杆端 Rod End



隔圈挡圈垫片 Spacer\End Plate\Washer



保持器 Cage\Retainer



密封件、防尘盖 Seals And Shield



我机械加工件可涵盖黄铜青铜等铜件、铝件以及不锈钢、整体淬火钢、渗碳钢等钢材。涵盖尺寸范围外径10到250mm。磨加工精度可达±0.01mm,轴套外圆精度可达±0.005mm。

Our machining parts can cover brass, bronze and other copper parts, aluminum parts, stainless steel, through hardened steel, case hardened steel and other steel materials. Covers a size range of 10 to 250 mm outer diameter. The grinding accuracy can reach ±0.01mm and the outer circle accuracy of the bushing can reach ±0.005mm.



订制法兰
Custom Flange



截齿
Tooth Picking



电机端盖
Motor End Caps



纺机配件
Textile Machine Accessories



冲压挡盖
Stamped Baffles



堵头
Plugs



精密铸件
Precision Castings



气动锭杆
Pneumatic Ingot Rod



冲压轴承座
Stamped Housings



黄铜配件
Brass Fittings



摇臂
Rocker Arm



轴承座
Housing

交叉滚子轴承 Crossed Roller Bearings

产品特点 Product characteristics

- 1、采用交叉滚子结构。
- 2、高刚性，能承受轴向、径向和倾覆力矩等各个方向的载荷。
- 3、高精度，保证定位精度。
- 4、可以应用于医疗，工业机器人等领域。

- 1、Adopts crossed roller structure.
- 2、High rigidity, can withstand loads in all directions such as axial, radial and overturning moment.
- 3、High precision, ensure positioning accuracy.
- 4、It can be applied to medical, industrial robots and other fields.

Air blower
风机Robot arm bearing
机器人机械臂轴承

薄壁球轴承 Thin-walled Ball Bearings

产品特点 Product characteristics

- 1、薄壁球轴承有很高的精度要求，结构简单，使用方便，摩擦系数小，极限转速高。
- 2、其所能承载的重量较低，需要根据使用环境做好选择。

- 1、Thin-walled ball bearings have high accuracy requirements, simple structure, easy to use, small friction coefficient and high limit speed.
- 2、The weight it can carry is low, and it needs to be selected according to the use environment.





纺机高速转杯轴承 High-speed Rotor Bearing

产品特点 Product characteristics

- 1、轴承拥有高效的密封系统，配备注油孔。
 - 2、纺机可以获得更高的转杯速度和更高的产量，并同时实现高精度高寿命。
 - 3、我司选择最优摩擦特征的高精材料，保证最小的摩擦和损耗。
- 1、 The bearings have an efficient sealing system and equipped with oil injection holes.
 - 2、 pinning machines can achieve higher bowl speeds and higher outputs, while achieving high precision and high life.
 - 3、 Our company selects high-precision materials with optimal friction characteristics to ensure minimal friction and loss.



^ Textile Machinery
纺织机械

压缩机密封滚针轴承 Sealed Needle Roller Bearings For Compressors

产品特点 Product characteristics

- 1、密封滚针设计，自带密封及润滑，可同时承受径向以及轴向的联合载荷。
 - 2、采用荷兰进口的润滑脂，可保护轴承在高温高速的作业环境下运行。
 - 3、轴承精度可达P6级别，噪音等级可达Z3
 - 4、可应用于压缩机，减速机等设备
- 1、 Sealed needle roller design, with self-sealing and lubrication.
 - 2、 It can withstand both radial and axial combined loads.
 - 3、 The use of grease imported from the Netherlands protects bearings from high temperature and high-speed environments.
 - 4、 Applied to compressors, reducers and other equipment.





Power tool 电动工具

高转速轴承 High speed bearing

产品特点 Product characteristics

- 1、高速马达工况下使用，采用低扭矩高密封结构。
 - 2、极大地提升产品性能，降低高温运转时的升温。
- 1、 It is used under high-speed motor conditions and adopts a low-torque and high-sealing structure.
 - 2、 Greatly improve product performance and reduce temperature rise during high temperature operation.



Construction machinery 工程机械

密封清洁深沟球轴承 Seal Clean Deep Groove Ball Bearings

产品特点 Product characteristics

- 1、适用于要求摩擦矩小、转速高、噪音低、振动低的工况，既可防止异物侵入又不阻碍润滑油流入，保证了极端环境下的顺利作业。
 - 2、它既可承受径向载荷又可承受轴向载荷。
 - 3、应用于挖掘机、装载机、推土机、矿山机械等设备。
- 1、 This bearing is suitable for working conditions requiring small friction torque, high speed, low noise and low vibration.
 - 2、 It prevents the ingress of foreign matter without impeding the flow of lubricating oil, ensuring smooth operation in extreme environments.
 - 3、 It can withstand both radial and axial loads.
 - 4、 Used in excavators, loaders, bulldozers, mining machinery and other equipment.



应用领域

OUR
PRODUCT
APPLICATIONS

产品应用于冶金、采矿、矿物加工、铁路物料运输、农机、建筑、医疗器械、食品设备、机械自动化、建筑行业、半导体行业、运输、水电水坝等多个应用领域

Used in metallurgy, mining, mineral processing, railway material transport, Agricultural machinery, construction, medical equipment, food equipment, mechanical automation, Construction industry, semiconductor industry, transportation, hydropower DAMS and other applications.

